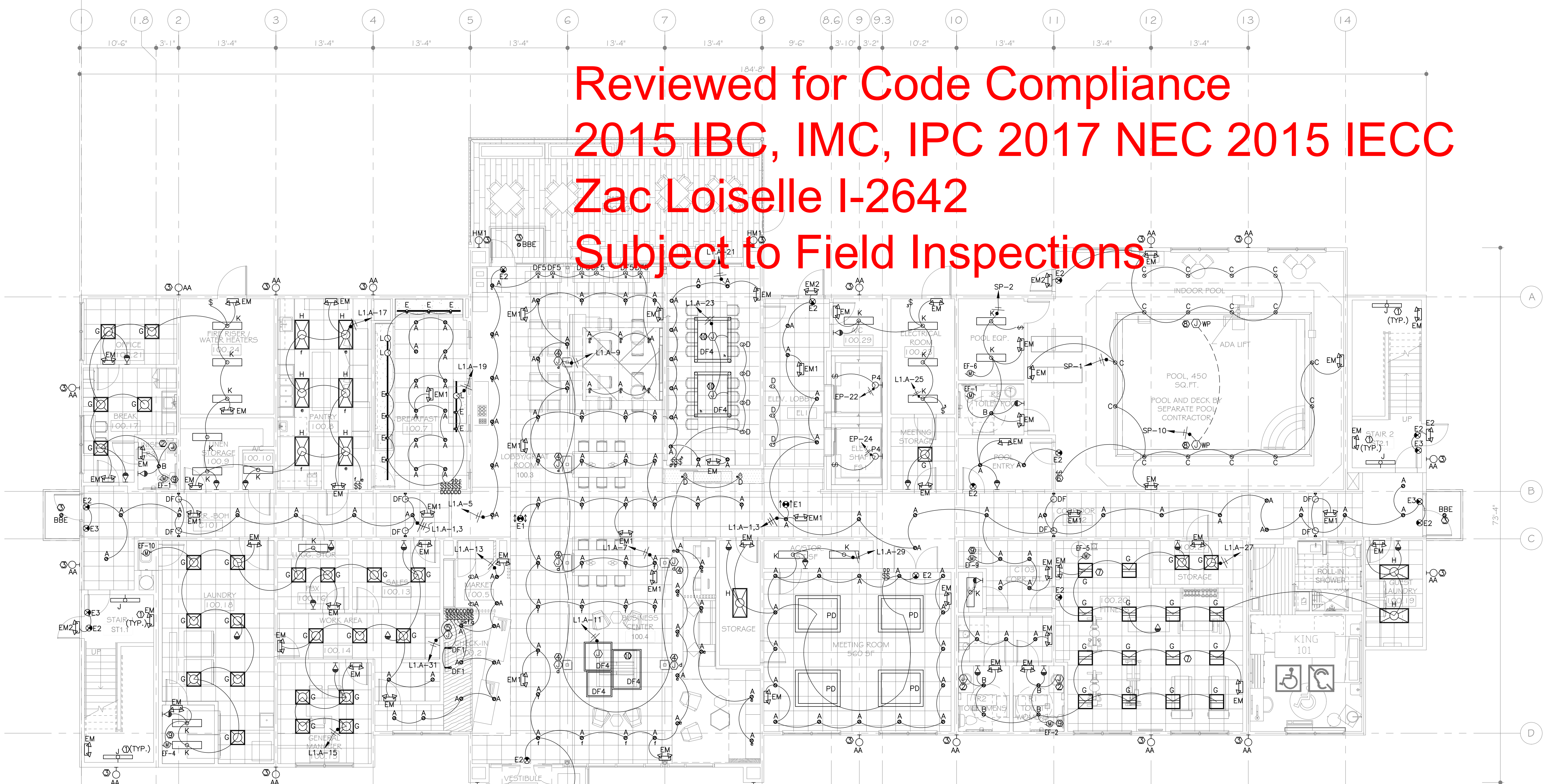
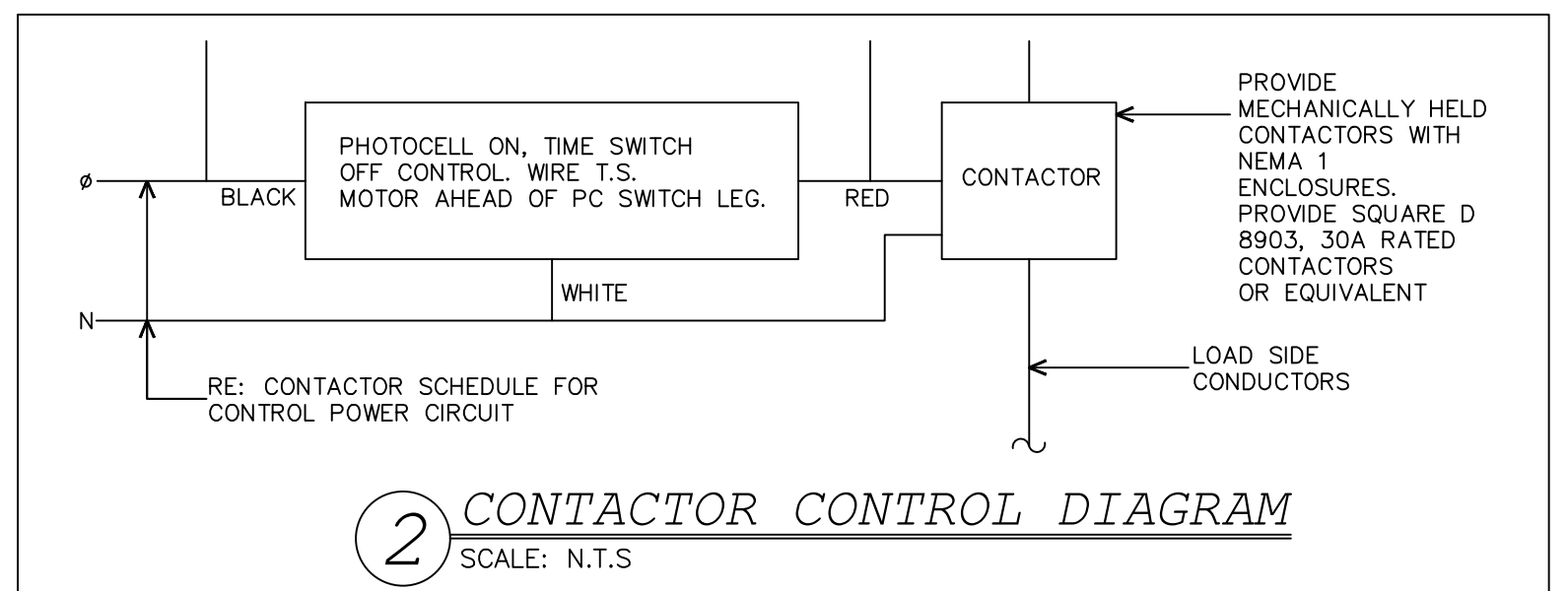


Reviewed for Code Compliance
2015 IBC, IMC, IPC 2017 NEC 2015 IECC
Zac Loiselle I-2642
Subject to Field Inspections



1 LIGHTING FIRST FLOOR PLAN
SCALE: 1/8"=1'-0"



- KEYED NOTES:**
- CONNECT ALL TYPE "J" & "EM", "EM2", "E" LIGHTS AT STAIRCASE TO L1.A-33 & L1.A-35, USING 2#10, 1/2" C. CONTRACTOR WILL PROVIDE A LOCK-ON FEATURE FOR THIS CIRCUIT AS REQUIRED BY NEC 700.12(F).
 - PROVIDE 120V CONNECTION TO LIGHTED MIRROR.
 - CONNECT ALL TYPE "AA", "BBE", "HM1" & "HM2" TO L1.A-4, USING 2#10, 1/2". REFER TO ARCHITECTURAL ELEVATION FOR EXACT HEIGHT AND LOCATION. THE ELECTRICAL CONTRACTOR MUST CONFIRM THE LOCATION AND QUANTITIES OF LIGHT FIXTURES WITH THE ARCHITECT/INTERIOR DESIGNER AND REFER TO PROTOTYPE DRAWINGS (IF ANY) BEFORE PROCEEDING WITH THE INSTALLATION.
 - J.BOX FOR LED COVE STRIP LIGHT (TYPE "Y" LIGHT)
 - POWER SOURCE FOR BRAND SIGN. VERIFY LOCATION WITH THE ARCHITECTURAL PLAN /FRANCHISE PRIOR TO PLACING ORDERS/ INSTALLATION
 - KEYED LIGHT SWITCH
 - LIGHT FIXTURES SHALL BE REMAINED ON (KEPT UN-SWITCHED FROM OCCUPANCY SENSOR)
 - J.BOX FOR POOL UNDERWATER LIGHT, LOCATION & QUANTITY SHALL BE DETERMINED BY POOL CONTRACTOR
 - THE FAN SHALL RUN CONTINUOUSLY AND BE KEPT UNSWITCHED FROM OCCUPANCY SENSOR/LIGHT SWITCH. REFER TO EXHAUST FAN SCHEDULE ON M1.1 FOR MORE DETAIL.
 - J.BOX FOR DECORATIVE LIGHT FIXTURES. VERIFY LOCATION WITH THE ARCHITECTURAL /I/D PLAN TO INSTALLATION.

- GENERAL NOTES:**
- FOR ALL HOME RUNS (FROM UNITS) 100 FT OR MORE, THE ELECTRICAL CONTRACTOR HAS TO CHECK THE VOLTAGE DROP AND SELECT THE SUITABLE CABLES SIZE TO COMPLY WITH THE MAXIMUM ALLOWED VOLTAGE DROP FOR THE FEEDER CONDUCTORS (3%). THE MAXIMUM COMBINED VOLTAGE DROP ON BOTH INSTALLED FEEDER CONDUCTORS AND BRANCH CIRCUIT CONDUCTORS TO THE FARTHEST CONNECTED LOAD OR OUTLET SHALL NOT EXCEED 5 PERCENT.
 - CONTRACTORS TO COORDINATE WITH OWNER FOR LOW-VOLTAGE SYSTEMS (PHONE, DATA, SECURITY, CCTV, ETC)
 - THE ELECTRICAL CONTRACTOR SHALL COORDINATE WITH THE SPRINKLER CONTRACTOR FOR THE PLACEMENTS OF THE LIGHT FIXTURES AND SPRINKLER HEADS TO COMPLY WITH THE NFPA 13 REQUIREMENTS.
 - LIGHTING FOR ALL EXTERIOR APPLICATIONS SHALL HAVE AUTOMATIC CONTROLS CAPABLE OF TURNING OFF EXTERIOR LIGHT WHEN SUFFICIENT DAYLIGHT IS AVAILABLE OR WHEN THE LIGHT IS NOT REQUIRED DURING NIGHTTIME HOURS. LIGHTING NOT DESIGNATED FOR DUSK TO DAWN OPERATION SHALL BE CONTROLLED BY AN ASTRONOMICAL TIME SWITCH. LIGHTING DESIGNATED FOR DUSK TO DAWN SHALL BE CONTROLLED BY AN ASTRONOMICAL TIME SWITCH OR PHOTOSENSOR. ASTRONOMICAL TIME SWITCHES SHALL BE CAPABLE OF RETAINING PROGRAMMING AND THE TIME SETTING DURING LOSS OF POWER FOR A PERIOD OF AT LEAST 10 HOURS.
 - THE OCCUPANCY SENSOR SWITCHES SHALL AUTOMATICALLY TURN LIGHTING ON INSTANTANEOUSLY WHEN THE ROOM /SPACE IS OCCUPIED AND AUTOMATICALLY TURN LIGHTING OFF WITHIN 30 MINUTES OF ALL OCCUPANTS LEAVING THAT ROOM/SPACE.
 - VERIFY MOUNTING HEIGHT FOR ALL WALL MOUNTED FIXTURE TYPES WITH OWNER/ARCH. PRIOR INSTALLATION. FIXTURE SHALL BE MOUNTED PER ADA REQUIREMENTS.
 - THE EMERGENCY AND EXIT LIGHTS THAT CONNECT TO LOCAL AREA NORMAL LIGHTING CIRCUITS WILL BE CONNECTED AHEAD OF ANY LOCAL SWITCHES COMPLY WITH NEC 700.12(F).
 - EMERGENCY LIGHTING FACILITIES SHALL BE ARRANGE TO PROVIDE INITIAL ILLUMINATION THAT IS AT LEAST 10 FOOT-CANDLES OF EMERGENCY ILLUMINATION SHALL BE PROVIDED ON THE STAIRS AND 1 FOOT-CANDLE ON THE OTHER WALKING SURFACES PER NFPA 101 (SECTION 7.8.1.3 AND 7.9).
 - LOW LEVEL EXIT SIGNS SHALL BE PROVIDED IN ALL AREAS SERVING GUESTROOMS IN GROUP R-1 OCCUPANCIES BY SECTION 1013.1 AND SHALL COMPLY WITH SECTION 1013.5. THE BOTTOM OF THE SIGN SHALL BE NOT LESS THAN 10 INCHES (254MM) NOR MORE THAN 12 INCHES (305MM) ABOVE THE FLOOR LEVEL. THE SIGN SHALL BE FLUSH MOUNTED TO THE DOOR OR WALL. WHERE MOUNTED ON WALL, THE EDGE OF THE SIGN SHALL BE WITHIN 4 INCHES (102MM) OF THE DOOR FRAME ON THE LATCH SIDE.
 - SEE TYPICAL GUESTROOM PLAN FOR DETAILED ROOM LAYOUT ON SHEET E4.0.
 - LUMINAIRES INSTALLED IN WET OR DAMP LOCATIONS SHALL BE INSTALLED SUCH THAT WATER CANNOT ENTER OR ACCUMULATE IN WIRING COMPARTMENTS, LAMP HOLDERS, OR OTHER ELECTRICAL PARTS. ALL LUMINAIRES SHALL BE SELECTED SUITABLE FOR WET LOCATIONS OR DAMP LOCATION.
 - THE CONTRACTOR SHALL VERIFY WITH THE OWNER/ FRANCHISE FOR THE QUANTITIES AND LOCATIONS OF THE LIGHTING CONTROL AND PROVIDE ALL NECESSARY ACCESSORIES TO COMPLETE THE WIRING, POWER SUPPLY FOR THE DEVICES AS PER THE MANUFACTURER SPECIFICATIONS/ INSTALLATION GUIDELINES.
 - CONTRACTOR SHALL VERIFY AND FURNISH EXIT SIGNS TO COMPLY WITH SECTION 1013 IBC REQUIREMENT.
 - THE HEIGHT OF LUMINAIRES ABOVE THE MAXIMUM WATER LEVEL IN THE POOL AREA SHALL NOT BE LESS THAN 12'.
 - SUFFICIENT EMERGENCY LIGHTING LEVELS WILL BE DETERMINED DURING THE ONSITE INSPECTION. ADDITIONAL EMERGENCY LIGHTING MAY BE REQUIRED BY FIELD INSPECTOR IF DEEMED INSUFFICIENT.

MEP GREEN DESIGN & BUILD, P.L.C. RETAINS COPYRIGHT TO THIS DOCUMENT. THE IDEA DESIGN AND DETAILS, AS A PROFESSIONAL AND INTELLECTUAL INSTRUMENT OF SERVICE, AND IS NOT TO BE USED/COPIED IN WHOLE OR IN PART, FOR ANY OTHER PROJECT WITHOUT THE EXPRESSED WRITTEN CONSENT OF MEP GREEN DESIGN & BUILD, P.L.C.